

Qty.	Description
------	-------------

1	
---	--

	SQF 5-70
--	-----------------



Note! Product picture may differ from actual product

Product No.: On request

The 3" SQFlex centrifugal pump is for medium heads and flow rates.

The SQFlex system is a reliable water supply system based on renewable energy sources, such as solar and wind energy.

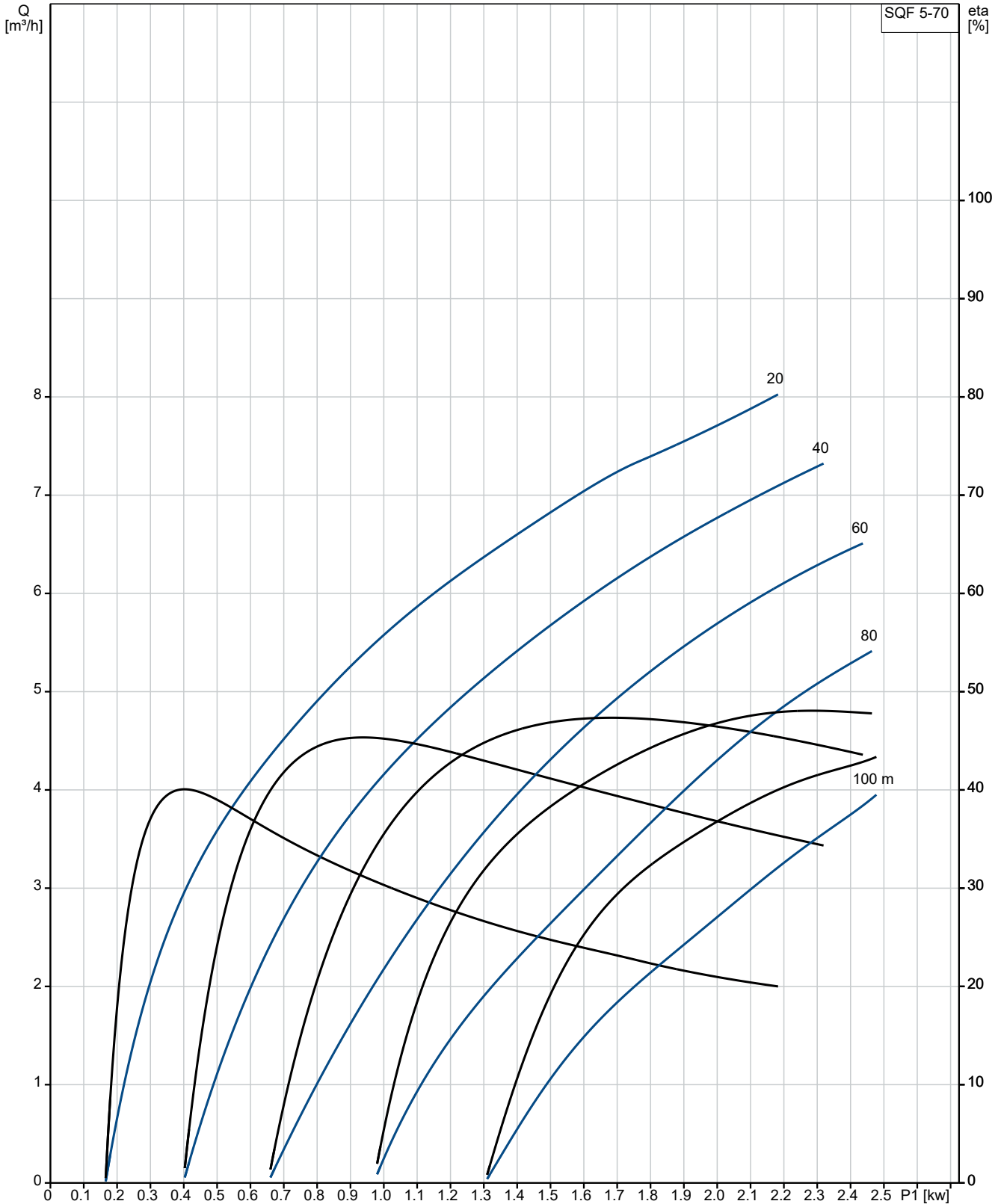
Thanks to its flexible energy supply and performance, the SQFlex system can be combined and adapted to meet any need on the installation site.

The SQFlex system has a wide voltage range, built-in maximum power point tracking (MPPT) as well as dry-running, voltage and overload protection.



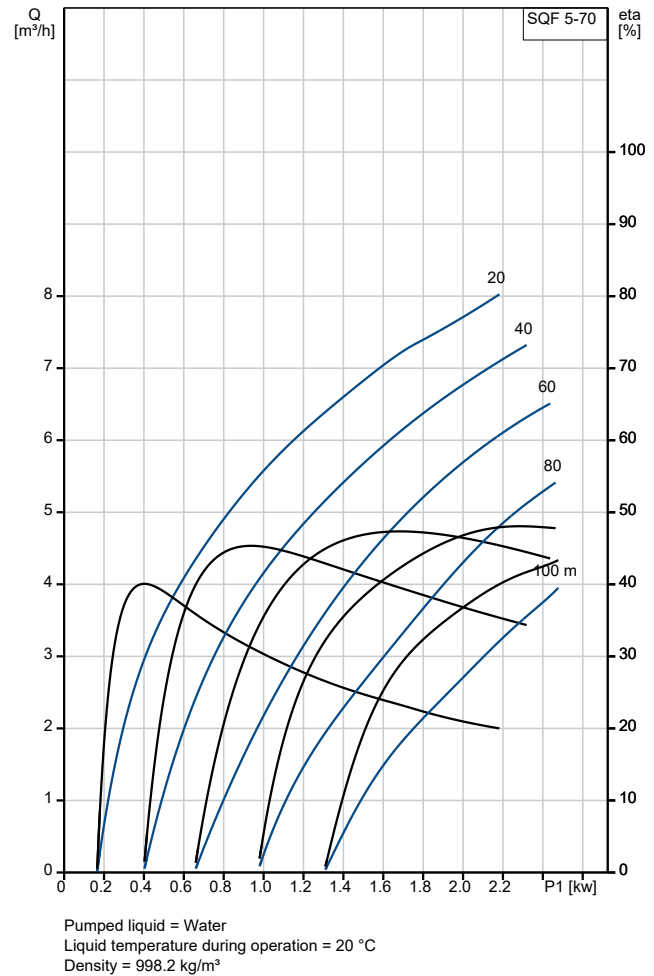
Company name: Peake International Development
Created by: John Peake
Phone: +1.682.521.2129
Email: john@johnpeake.dev
Date: 27/06/2026

On request SQF 5-70 50 Hz



Pumped liquid = Water
Liquid temperature during operation = 20 °C
Density = 998.2 kg/m³

Description	Value
General information:	
Product name:	SQF 5-70
Product No:	On request
EAN number:	On request
Price:	EUR 3119
Technical:	
Stages:	6
Approvals:	UKCA,CE,EAC,CN RoHS Exempt,Morocco, Sepro
Pump No:	99478396
Model:	C
Return valve:	Y
Zinc Anodes:	No
Materials:	
Pump:	Stainless steel DIN W.-Nr. 1.4301 AISI 304
Impeller:	Polyamide EN 1.4301 AISI 304
Motor:	Stainless steel DIN W.-Nr. 1.4301 AISI 304
Installation:	
Maximum ambient pressure:	15 bar
Maximum operating pressure:	15 bar
Type of connection:	Rp
Size of connection:	1 1/2 inch
Minimum borehole diameter:	76 mm
Liquid:	
Pumped liquid:	Water
Liquid temperature range:	0 .. 35 °C
Selected liquid temperature:	20 °C
Density:	998.2 kg/m ³
Electrical data:	
Motor type:	MSF3
Power input - P1:	2.5 kW
Rated power - P2:	1.85 kW
Rated voltage AC:	1 x 90-240 V
Rated voltage DC:	100-300 V
Rated current:	12.5 A
Power factor:	1.0
Rated speed:	10700 rpm
Start. method:	direct-on-line
Enclosure class (IEC 34-5):	IP68
Insulation class (IEC 85):	F
Built-in motor protection:	Y
Thermal protec:	internal
Length of cable:	2 m
Motor No:	99464900
Udc:	300 V 100 V
Others:	
Net weight:	9.14 kg
Gross weight:	9.6 kg
Shipping volume:	0.0113 m ³
Sales region:	Europe/South America/Japan

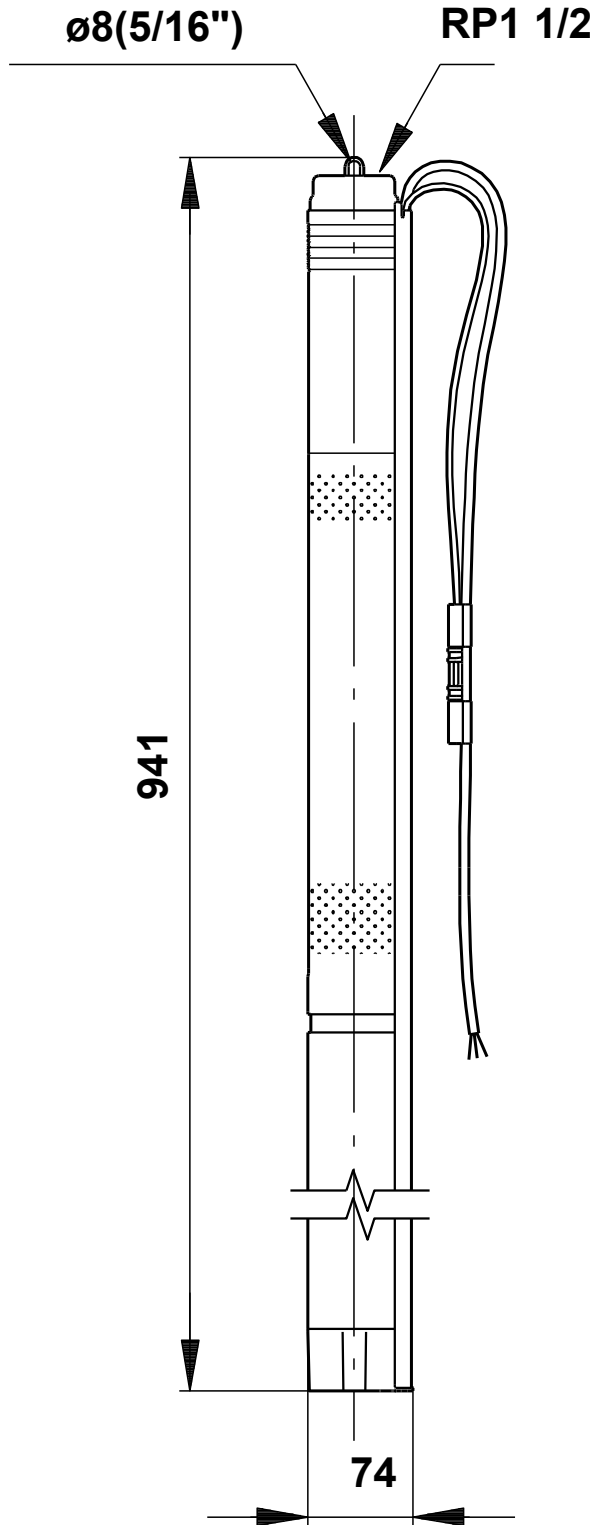




Company name: Peake International Development
Created by: John Peake
Phone: +1.682.521.2129
Email: john@johnpeake.dev
Date: 27/06/2026

Description	Value
Country of origin:	MX
Custom tariff no.:	84137075

On request SQF 5-70 50 Hz



Note! All units are in [mm] unless others are stated.
Disclaimer: This simplified dimensional drawing does not show all details.