
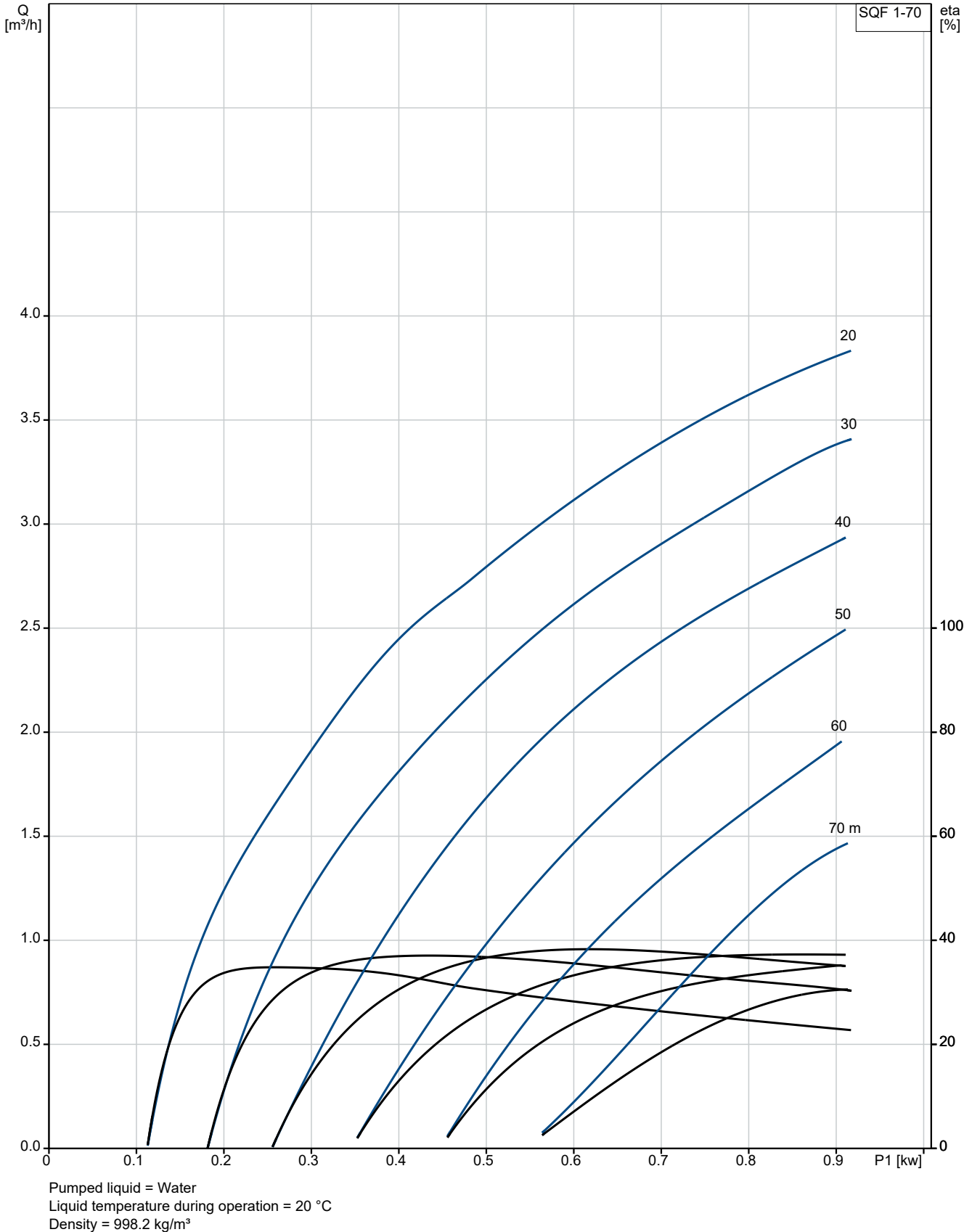


Qty.	Description
1	<p data-bbox="201 383 309 405">SQF 1-70</p> <div data-bbox="300 421 491 741"></div> <p data-bbox="592 725 1062 748">Note! Product picture may differ from actual product</p> <p data-bbox="201 757 480 779">Product No.: On request</p> <p data-bbox="201 869 932 891">The 3" SQFlex centrifugal pump is for medium heads and flow rates.</p> <p data-bbox="201 936 1426 981">The SQFlex system is a reliable water supply system based on renewable energy sources, such as solar and wind energy.</p> <p data-bbox="201 992 1453 1037">Thanks to its flexible energy supply and performance, the SQFlex system can be combined and adapted to meet any need on the installation site.</p> <p data-bbox="201 1093 1449 1137">The SQFlex system has a wide voltage range, built-in maximum power point tracking (MPPT) as well as dry-running, voltage and overload protection.</p>

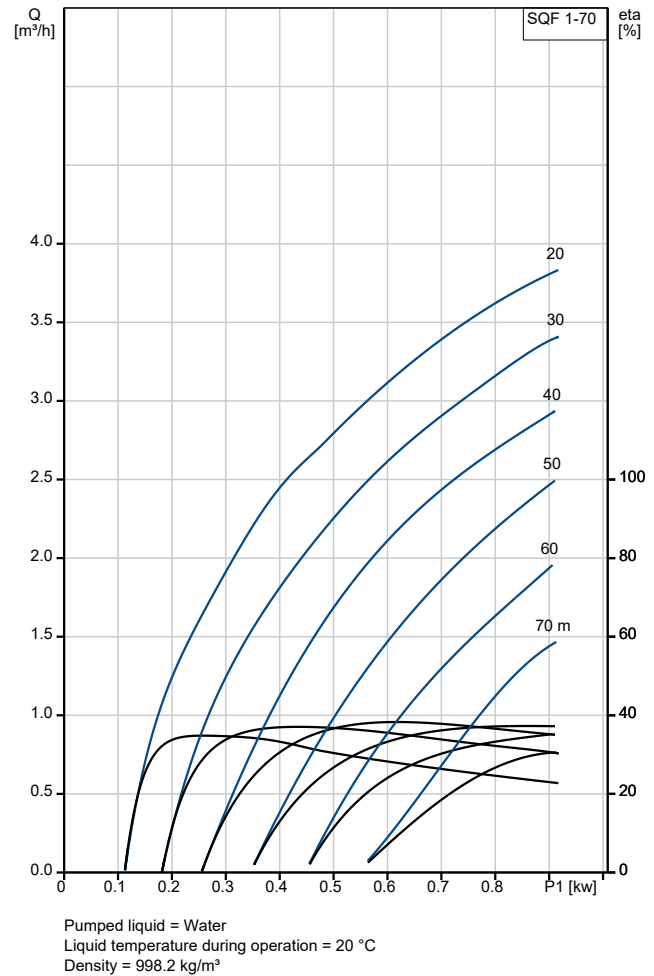


Company name: Peake International Development
Created by: John Peake
Phone: +1.682.521.2129
Email: john@johnpeake.dev
Date: 27/06/2026

On request SQF 1-70 50 Hz



Description	Value
General information:	
Product name:	SQF 1-70
Product No:	On request
EAN number:	On request
Price:	EUR 1871
Technical:	
Stages:	6
Approvals:	UKCA,CE,EAC,CN RoHS Exempt,Morocco, Sepro
Pump No:	99596822
Model:	C
Return valve:	Y
Zinc Anodes:	No
Materials:	
Pump:	Stainless steel DIN W.-Nr. 1.4301 AISI 304
Impeller:	Polyamide EN 1.4301 AISI 304
Motor:	Stainless steel DIN W.-Nr. 1.4301 AISI 304
Installation:	
Maximum ambient pressure:	15 bar
Maximum operating pressure:	15 bar
Type of connection:	Rp
Size of connection:	1 1/4 inch
Minimum borehole diameter:	76 mm
Liquid:	
Pumped liquid:	Water
Liquid temperature range:	0 .. 35 °C
Selected liquid temperature:	20 °C
Density:	998.2 kg/m ³
Electrical data:	
Motor type:	MSF3
Power input - P1:	0.9 kW
Rated power - P2:	0.6 kW
Rated voltage AC:	1 x 90-240 V
Rated voltage DC:	30-300 V
Rated current:	8.4 A
Power factor:	1.0
Rated speed:	10700 rpm
Start. method:	direct-on-line
Enclosure class (IEC 34-5):	IP68
Insulation class (IEC 85):	F
Built-in motor protection:	Y
Thermal protec:	internal
Length of cable:	2 m
Motor No:	99586807
Udc:	300 V 30 V
Others:	
Net weight:	5.41 kg
Gross weight:	6.1 kg
Shipping volume:	0.0104 m ³
Sales region:	Europe/South America/Japan

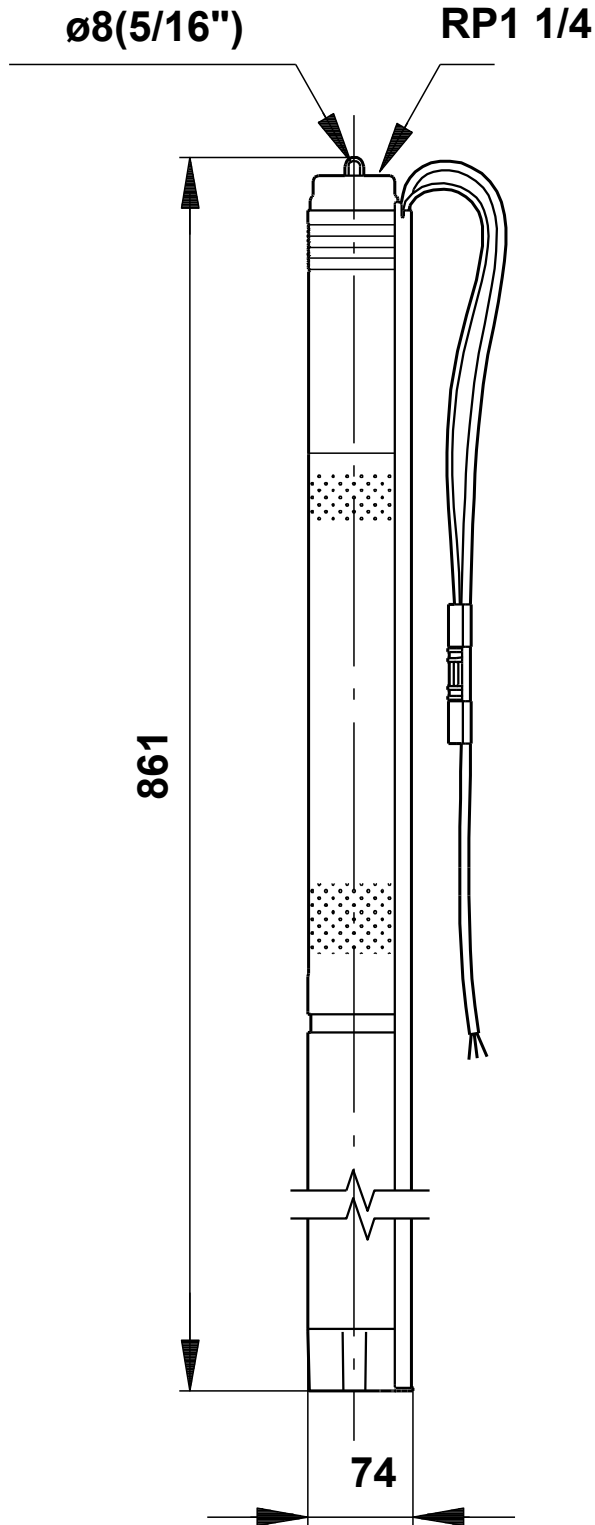




Company name: Peake International Development
Created by: John Peake
Phone: +1.682.521.2129
Email: john@johnpeake.dev
Date: 27/06/2026

Description	Value
Country of origin:	MX
Custom tariff no.:	84137000

On request SQF 1-70 50 Hz



Note! All units are in [mm] unless others are stated.
Disclaimer: This simplified dimensional drawing does not show all details.